

SHUFFLEBOARD

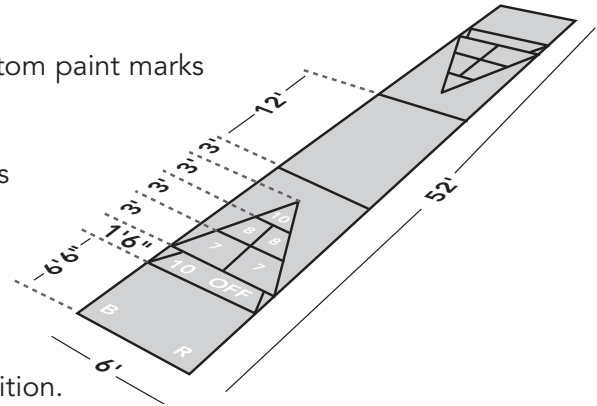
All the fun of the cruise ship game without the annoying casino to lose your shirt in. Perfect for any age player - kids against adults, boys against girls, or neighbors against home team. Just make sure the losers do the dishes.

Court: As marked on court with Sport Court® custom paint marks
(Ask your Sport Court Dealer).

Equipment: 8 discs of two colors, 6" diameter 2-4 cues

Object of the Game: To slide discs into numbered areas and to knock opponent's discs out of scoring position.

Rules: Discs are played from behind 10-Off area. Play alternates until all discs are played. A disc returning, or remaining on the court after having struck any object other than a live disc shall be removed before further play.



Scoring: Scores are counted after both players have shot all discs. Score only discs within, but not touching the line. Any disc which lands in the center area (neutral zone) should be removed before the next disc is played. Any disc touching any line is nullified.

Game: 50, 75 or 100 point.

Match: Best of three games

